

Sandberg®
ACTIVE

Car Jumpstarter Powerbank 10000

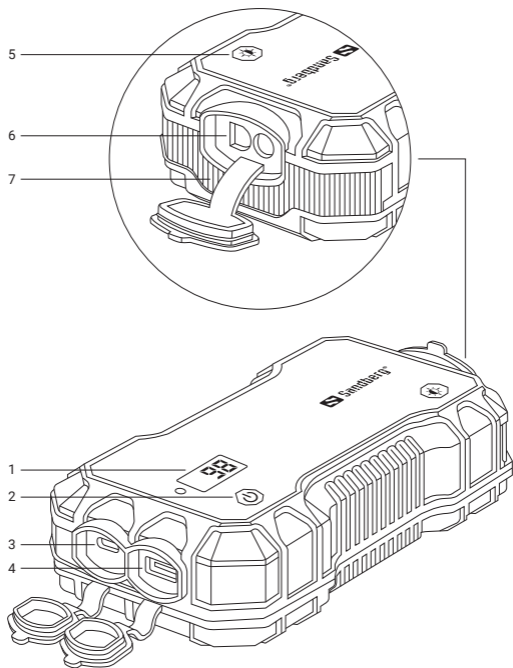
Quick guide

420-98



www.sandberg.world

Product overview



1. LED display screen
2. Power button
3. USB-C input
4. USB-A output

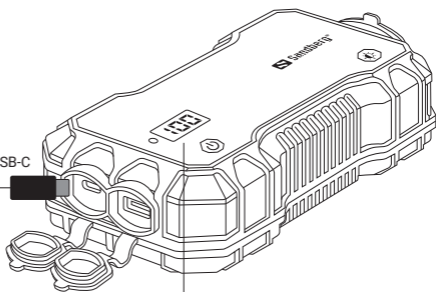
5. LED light button
6. 12V car start output port
7. LED light

Charge Powerbank



USB-A

USB-C



LED status display

Jumpstarter function

Disclaimer:

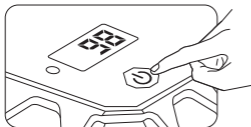
Only designed for cars with 12V systems. Gasoline max 12V/4.0T and Diesel max 12V/3.0T.

After a jumpstart attempt, if failed, please wait min. 1 minute before trying again.

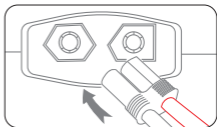
If the engine cannot be started after 3 attempts, try to find the problem elsewhere on the engine.

Jumpstarter procedure:

1. Turn on powerbank



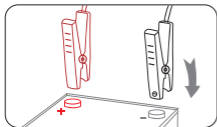
2. Connect jumpstarter cable to power bank interface



3. Connect clamps to car battery

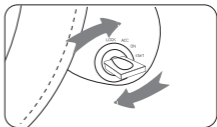
Important to follow this:

1. RED to RED (positive)
2. BLACK to BLACK (negative/chassis)

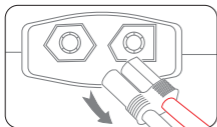


4. Try to start the engine

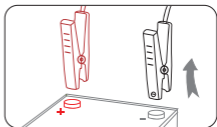
Turn key / press start button



5. Remove cable from the power bank



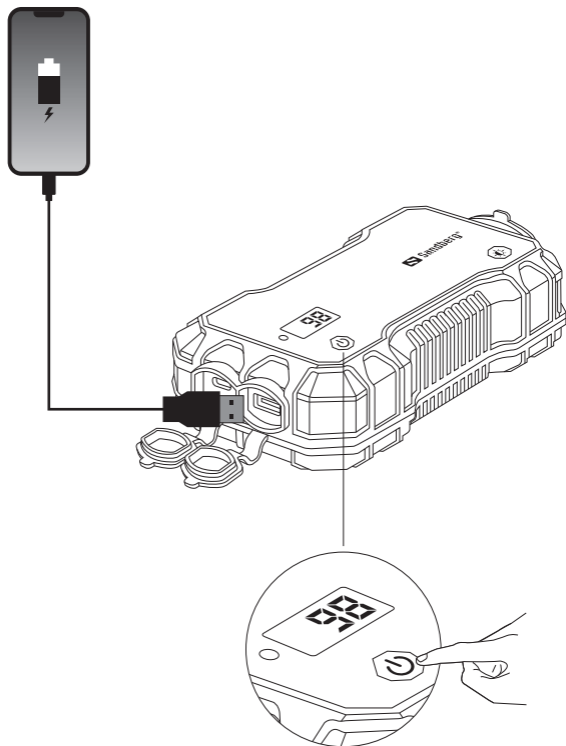
6. Remove clamps from the car battery



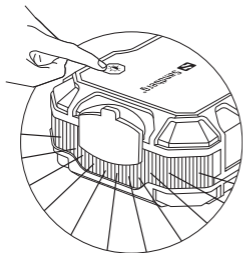
Jumper Clamp Indicator Instruction

Item	Technical parameters	Instruction
Input high voltage protection	16.8V±0.5V	The red light is always on, the green light is off, and the buzzer does not sound.
Work instruction	Support	When working normally, the green light is always on, the red light is off, and the buzzer beeps once.
Reverse connection protection	Support	The red/black clip of the wire clip is eversely connected to the car battery (battery voltage $\geq 0.8V$), the red light is always on, the green light is off, and the buzzer sounds at short intervals.
Short circuit protection	Support	When the red and black clips are short-circuited, no sparks, no damage, the red light is always on, the green light is off the buzzer 1 long and 2 short beeps.
Start timeout protector	90S±10%	The red light is always on, the green light is always on, and the buzzer does not sound.
Connect to the high voltage alarm	Support	The clip is mistakenly connected to battery that is >16V, the red light is always on, the green light is off, and the buzzer sounds slowly and shortly.
Automatic anti-virtual electricity function	Support	When the car battery voltage is higher than the Starter battery voltage, the output is automatically turned off and the green light is on, at this time, it can be ignited normally. If the car battery voltage drops and is lower than the starter battery voltage during the ignition process, the smart clip will automatically turn on the output to complete the startup process.

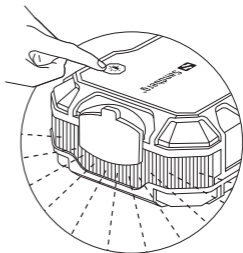
Charge devices



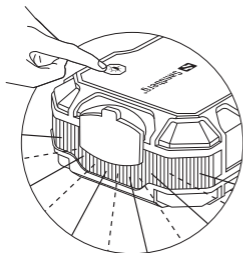
Flashlight procedure



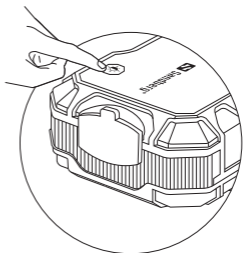
1. Short press to turn on flashlight



2. Short press once more for caution light



3. Short press once more for SOS



4. Short press to turn off flashlight

Support

<http://helpdesk.sandberg.world>

Warranty

There is a five-year warranty on your Sandberg product. Please read the warranty terms and register your new Sandberg product at www.sandberg.world/warranty

5
Years
Warranty

Jumpstarter Powerbank 10000

Item no. 420-98

Battery: Lithium Polymer 10000mah (37Wh)

USB-C Input: 5V=2A or 9V=2A (18W Max)

USB-A Output: 5V=3A, 9V=2A, 12V=1.5A (18W Max)

Clamp Rated Output: 12V DC 1000A

Clamp Peak Output: 12V DC 2000A

Product weight: 550g

Sandberg A/S
Bregnerødvej 133D, 3460 Birkerød, Denmark
www.sandberg.world



Made in China

NOTE: For optimal battery performance, we recommend fully discharging and recharging the power bank at least once every three months.

